

UNDERGROUND WASTE SYSTEMS

# INGENIO



# GOING UNDERGROUND

## GETTING TO THE BOTTOM OF THINGS

Large volumes of waste generated in condensed urban areas create both logistical and ergonomic issues. Solve these problems with our comprehensive range of underground waste systems which provide a cleaner, greener and more aesthetic collection solution. Increase operational efficiency and reduce your carbon footprint through less frequent vehicle movements and a one-man operation.



Aesthetic solution

## 1. MAXIMUM VOLUME, MINIMUM SPACE

From a 3 to 5 m<sup>3</sup> storage capacity, Ingenio underground waste systems offer maximum waste collection volume whilst using minimum surface area.

INGENIO is a patented solution which encompasses the experience of delivering underground waste systems over many years.



Safety floor

## 2. FUNCTIONAL AND CONFORMING TO STANDARDS

ESE always considers the entire logistics and application chain when designing products, including requirements for filling, emptying, handling, health and safety. INGENIO fulfils all current European and national standards and is certified in accordance with the European standard EN 13071.



Efficient insertion method

## 3. INGENIO IS GENIUS

- Provides a complete modular solution, delivered pre-assembled ready to install
- High quality materials and finishing provide a superior product
- A complete range of optional components available to assist monitoring and improve operational efficiency

## 4. FEATURES

- Installed in less than 30 minutes
- Unique security lock-down system
- Built-in drainage
- Concrete casing guaranteed for 10 years C60/75 traffic class 45
- Safety floor tested to minimum vertical weight of 150 kg
- Profiled pedestrian platform diverts rainwater

## 5. MODULAR DESIGN

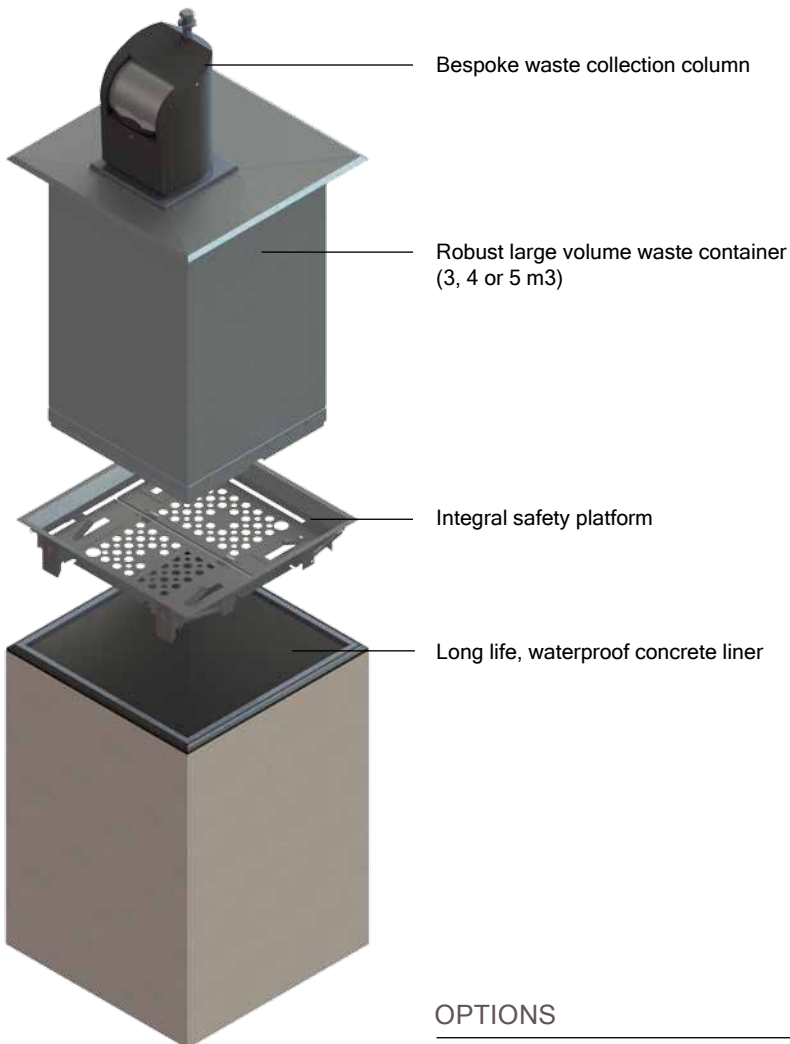
Due to the system's modular design, it is possible to improve or change the main components without modifying other components. The product line can/will be only extended horizontally. So there is almost no restriction on creating new solutions or adapting to new market demands.



Equinox housing



Evolution housing

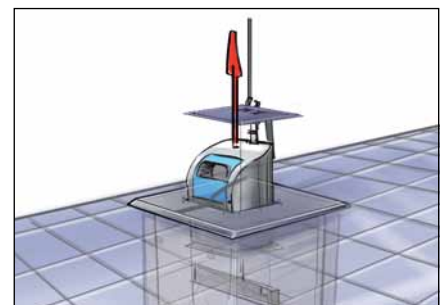
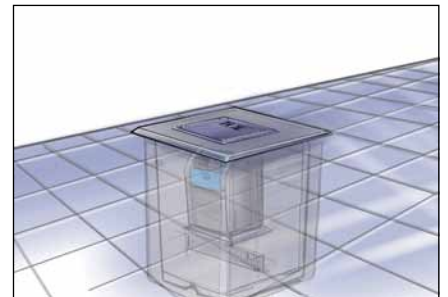
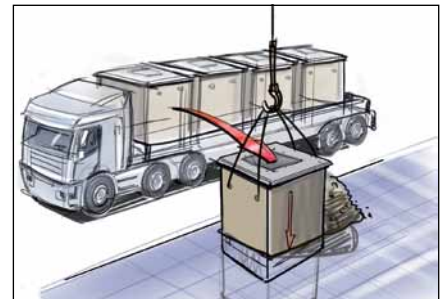


Bespoke waste collection column

Robust large volume waste container  
(3, 4 or 5 m3)

Integral safety platform

Long life, waterproof concrete liner



### OPTIONS

- Double drum
- Recycling apertures
- Popular lifting systems
- Fill level monitoring system
- GPS route management
- RFID access control
- Maintenance / Service package

